

JP7
 (1-2) : Normal
 (3-2) : EHC
 Rechargeble Battery

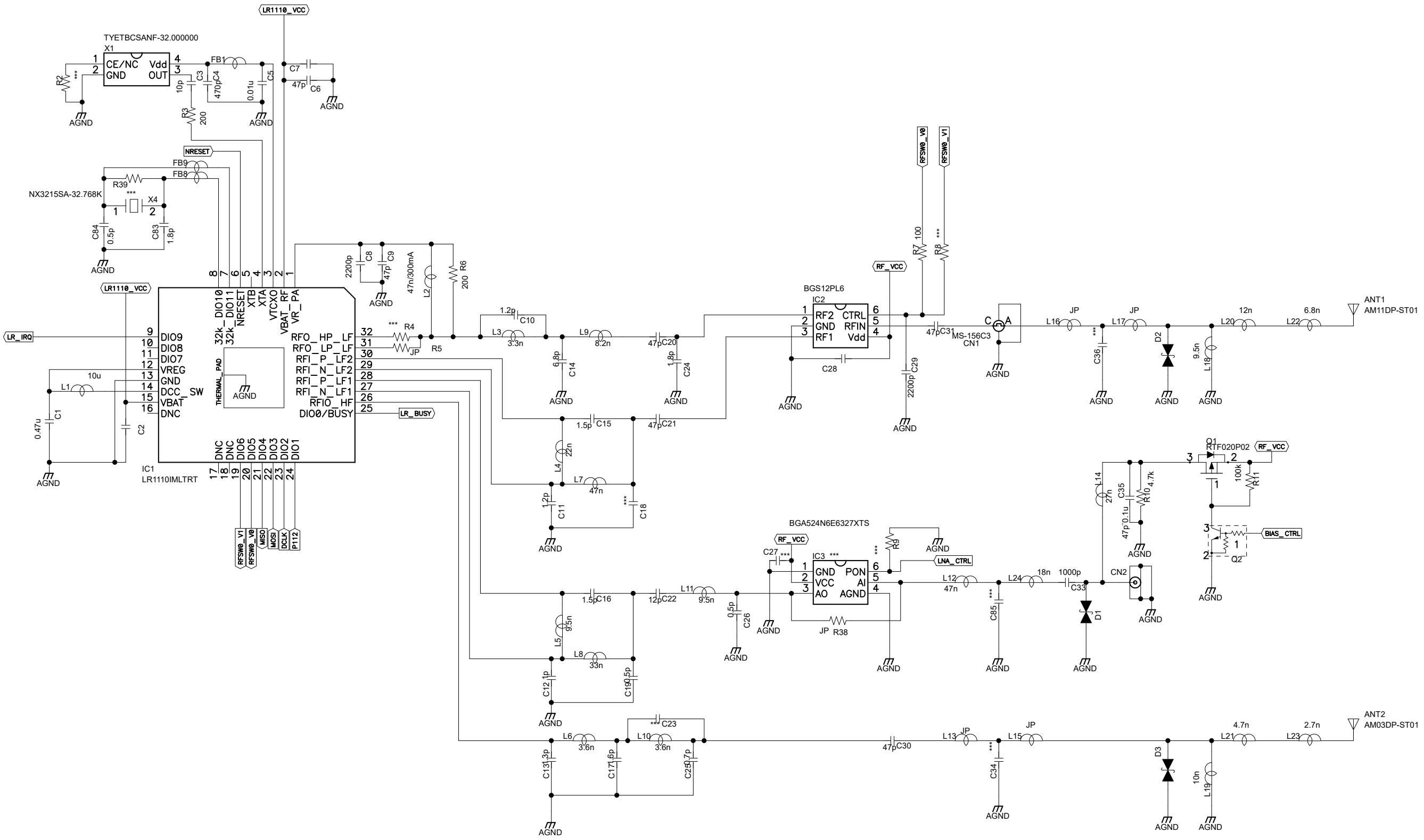
JP10
 (1-2) : Normal
 (3-2) : EHC
 VSC_VCC

JP8
 (1-2) : Normal
 (3-2) : EHC
 Electricity generating devide

JP9
 (1-2) : Normal
 (3-2) : EHC
 Discharge VCC_SU

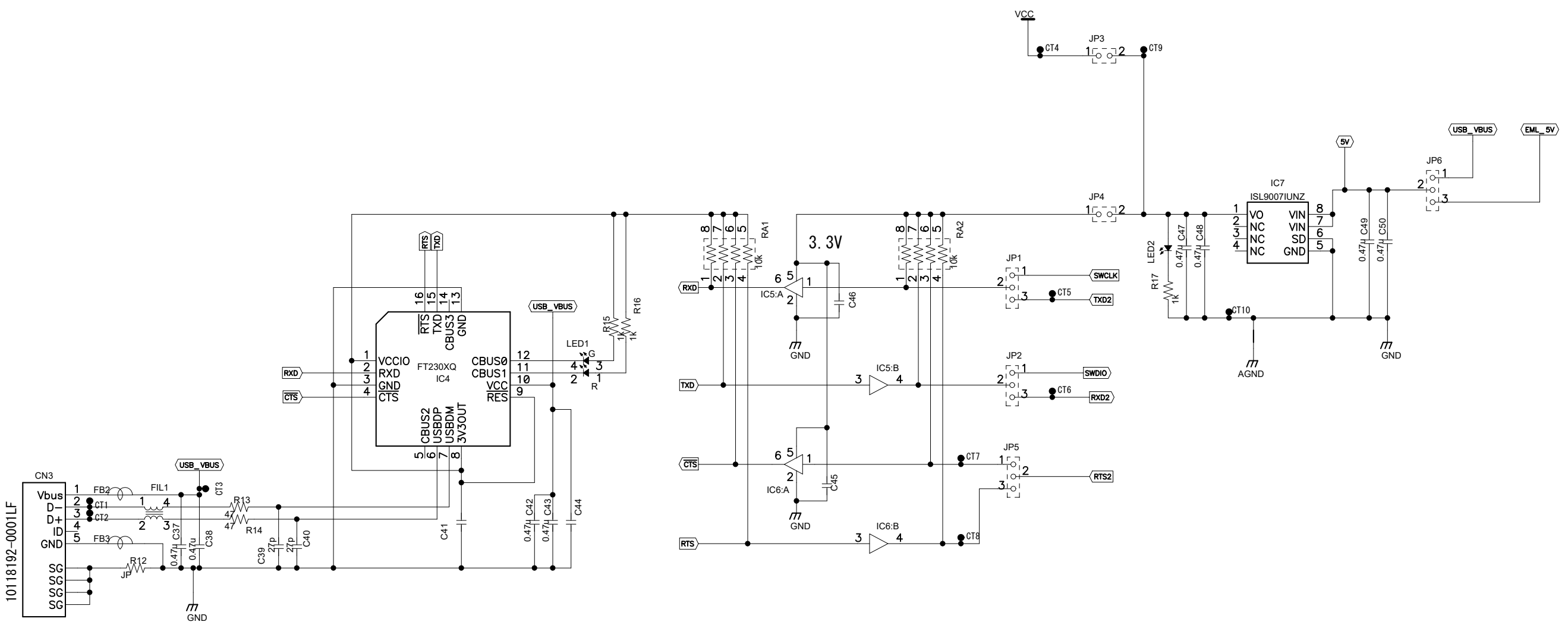
*** are indicated not populated.

date	memo	unit	scale	Name	Zero Carbon LoRa IoT Reference Schematic		
1 '21.12.7	Rev1.0					No	CD-8084001-ZCI
Design	***						
Draw	***						
Charge	***						
Check	***						
Approve	***						



date	memo	unit	scale	Name	Zero Carbon LoRa IoT Reference		
1	'21.12.7 Rev1.0					No	CD-8084001-ZCI
Design	***						
Draw	***						
Charge	***						
Check	***						
Approved	***						

Schematic



date		memo		unit	scale	Name	Zero Carbon LoRa IoT Reference Schematic
1	'21.12.7	Rev1.0					
Design	***						
Draw	***						
Charge	***						
Check	***						
Approve	***						